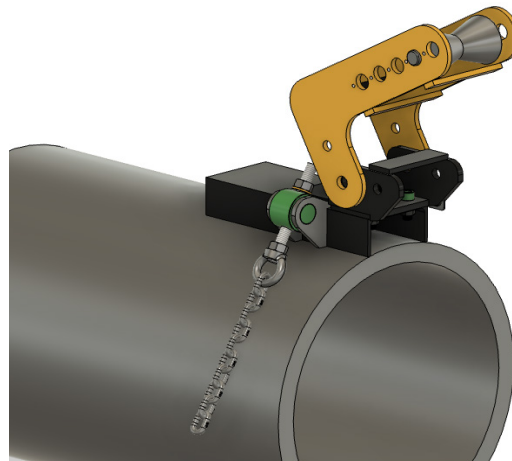


We design and manufacturer many types of Rollers to suit all applications. We also offer a full design and manufacture service for difficult applications where suitable rollers are not readily available.



**ALL ROLLERS ARE DESIGNED & MANUFACTURED IN HOUSE
CAN BE MODIFIED TO SUIT REQUIREMENTS**



ACROW / TRENCH STRUT ROLLERS

Ideal for many applications where rollers need to be fixed into position such as access chambers / excavations etc

Supplied with standard Acrow Props to suit various widths

1.04m to	1.83m
1.75m to	3.12m
1.98m to	3.52m
2.59m	to 3.96m
3.20m	to 4.87m

We also offer Trench Struts which feature clawed end plates to help support & grip inside trenches, these differ from Acrow props due to the smaller and more aggressive feet that will grip into wood or composite foot pads to give much higher load bearing parameters

To suit widths:

0.32m	to	0.47m
0.49m	to	0.73m
0.69m	to	1.09m
1.03m	to	1.73m

All struts above can be supplied with plastic or steel rollers

These rollers can also be supplied with hydraulic locking rather than manual screw lock



PIPE END ROLLERS

Ideal for protecting the pipe end and rope when pulling various items into pipes. The rollers fit directly and securely to the end of the pipe.

The roller is fitted to an hinged arm that can be swung clear of the pipe to facilitate removal of the item being pulled

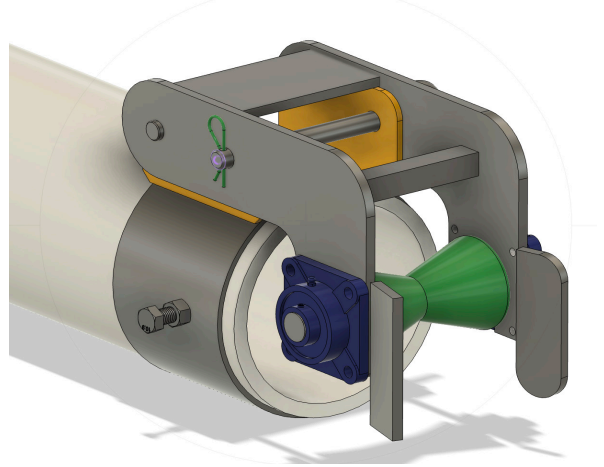
Supplied in various sizes to suit from 75mm to 300mm diameter

We also offer our **M.A.P (Modular Attachment Platform) Roller System** for larger diameter pipes from 200mm to 2500mm diameter

The roller is fitted to an hinged arm that can be swung clear of the pipe to facilitate removal of the item being pulled

These rollers fix securely to the pipe using high strength chain

Other attachments can be fixed to the platform as required



GROUND ROLLERS

Ideal for protecting the winch rope and road when pulling various items into pipes or access chambers. The rollers fit onto the edge of the excavation / access chamber

